



# Wixia 0-10V



**4 inputs**

**12-bit resolution**

**4 sensor power pins**

**DIN-35 rail mounting**

Wixia 0-10V module is dedicated to industrial sensors. This module must be connected to a Wixia-Controller to collect sensor data.

This module offers 4 inputs with 24-bit digital converter resolution.

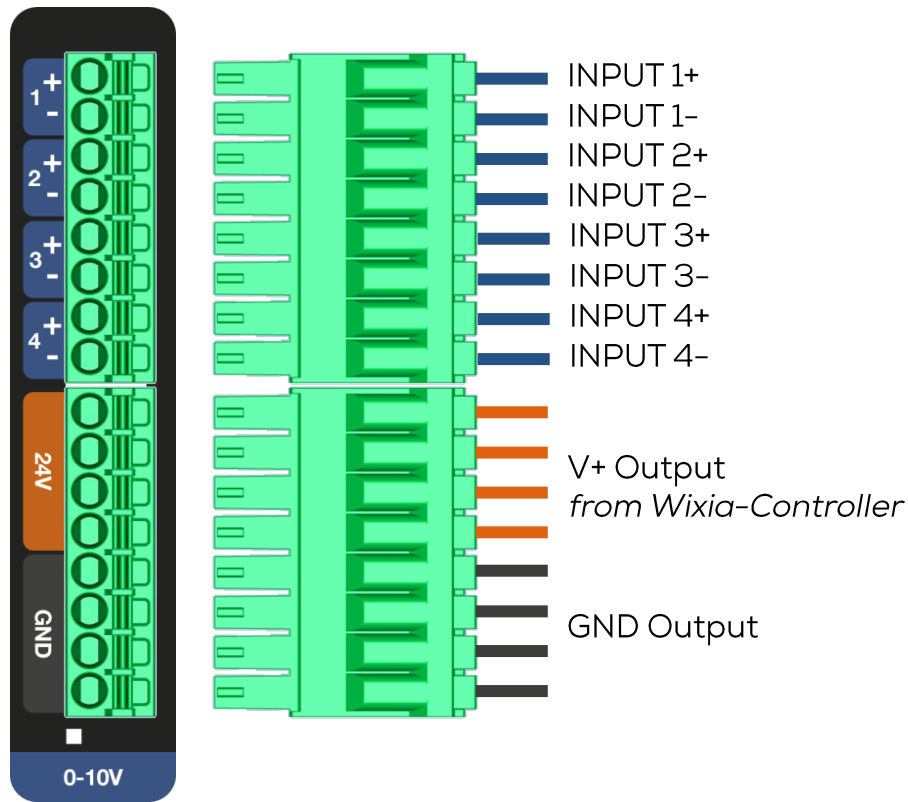
Sensors can be powered thanks to 4 Power outputs linked from Wixia-Controller power and 4 ground connections.

Powered by

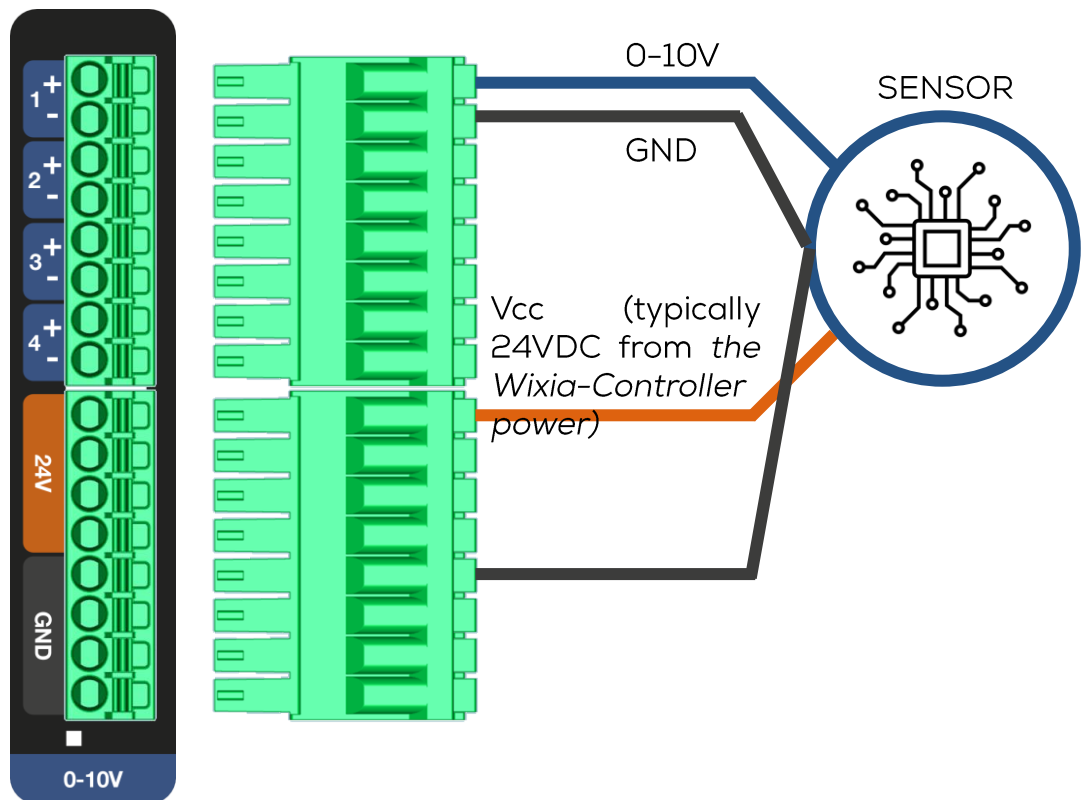


For more information  
contact us or explore [www.applexia.fr](http://www.applexia.fr)

# PINOUT



# 0-10V SENSOR CONNECTION EXAMPLE





## TECHNICAL DATA

### GENERAL

Compatibility	To connect to a Wixia-Controller
Power	Provided by Wixia-Controller
Type of connection	Plug-in terminal with push-in connections

### ANALOG INPUTS

Number of inputs	4
Type	Single ended
Resolution	24-bit
Range	0-10V
Output	0-10V with 2 digits precision
Input Impedance	1 M $\Omega$
Sample rate	100ms

### OPERATING CONDITIONS

Temperature	-25 to 50°C
Humidity	10 to 80%, non-condensing

### MECHANICAL CHARACTERISTICS

Dimensions (lxLxp)	2.4 x 5.1 x 9.1cm
Mounting type	DIN-35 rail
Weight	120g

### ACCURACY

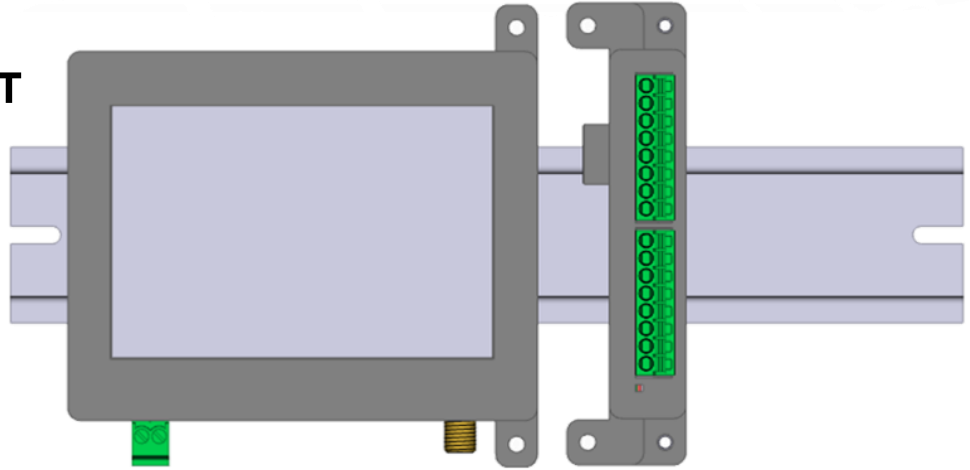
Offset error at 25°C	$\pm 1.5$ mV
----------------------	--------------

Powered by

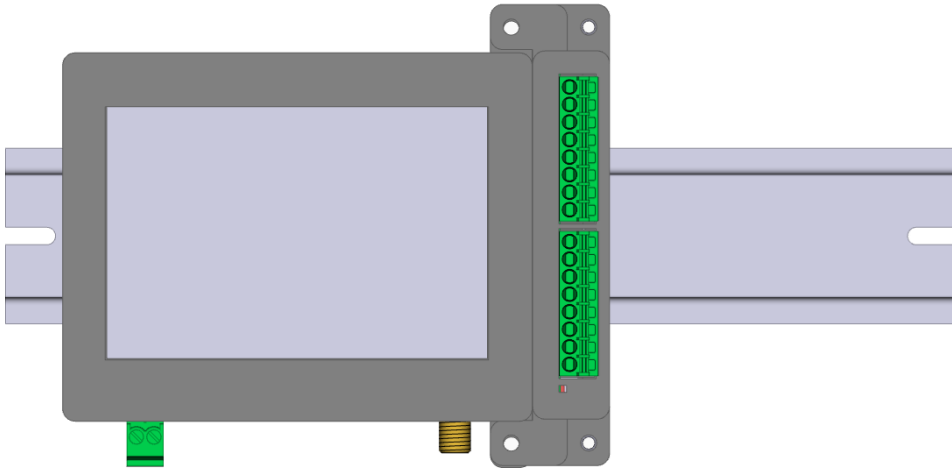


## HOW TO MOUNT

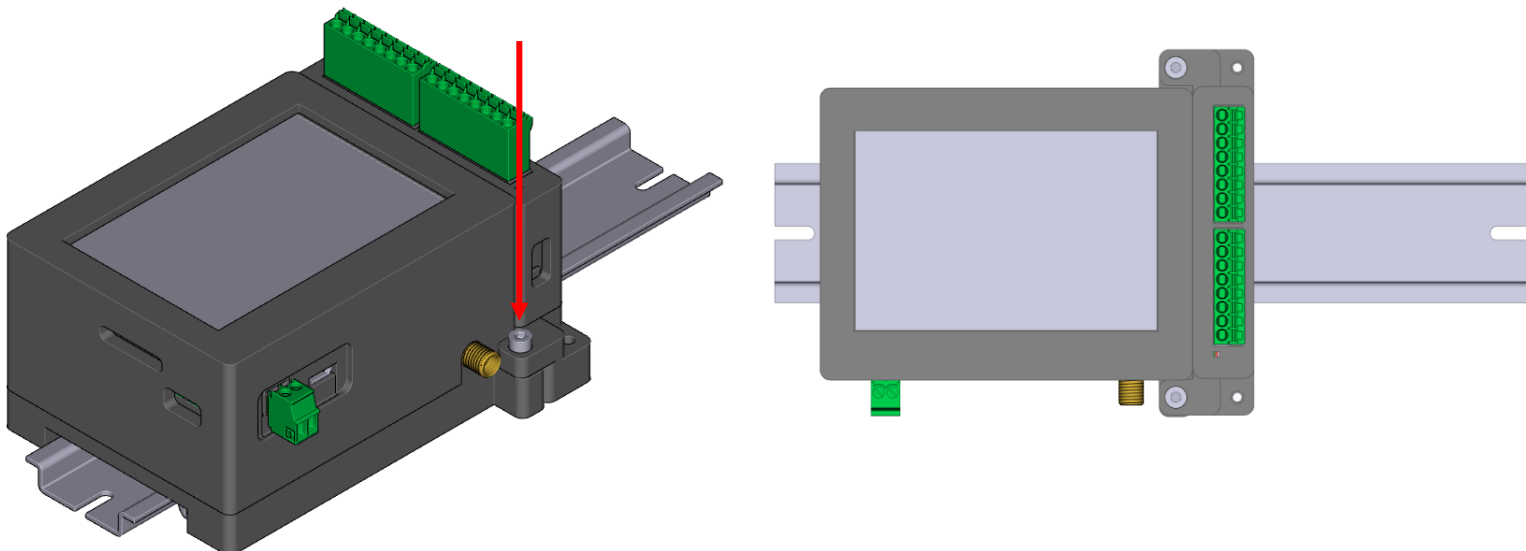
1- Simply clip the module onto the DIN-35 rail.



2- Slide the module to the left to connect it to the Wixia-Controller or to another module.

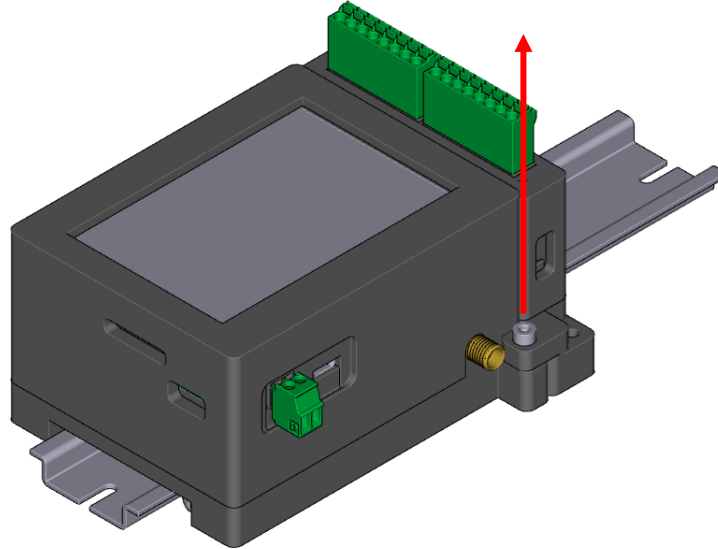


3- Fix the modules together using two M3x16 screws.

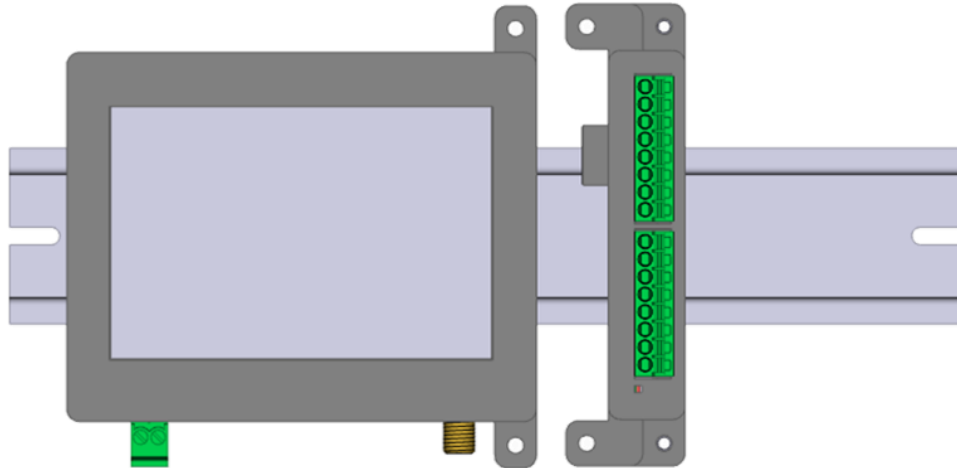


## HOW TO UNMOUNT

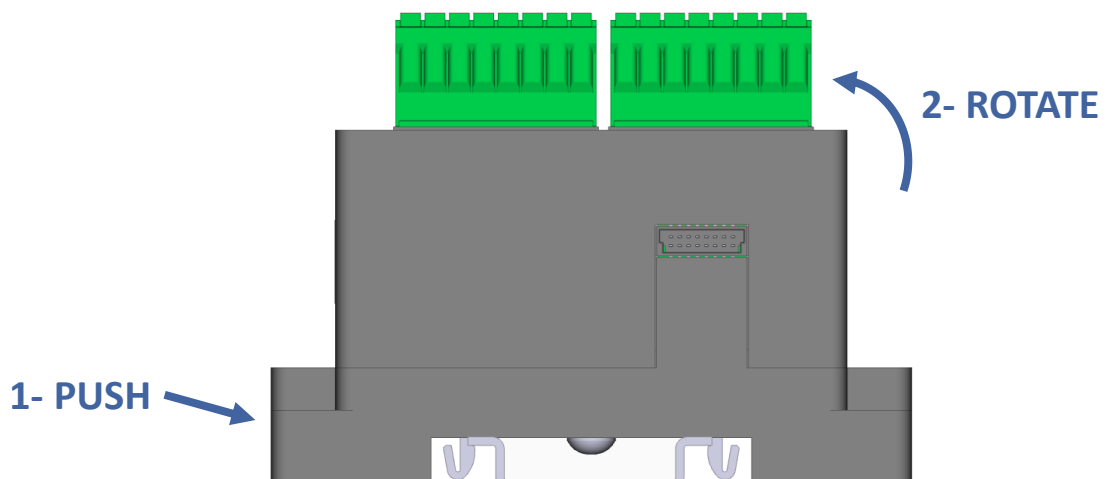
1- Remove the fixing screws that hold the module together with the other modules



2- Slide the module to the right so that it is no longer connected to the Wixia-Controller or to another module.



3- Slide the module to the right and push the module on the bottom while rotating the opposite angle to unmount it from the DIN-35 rail.



## HAZARDS AND WARNINGS

Manufacturer is not responsible for user's failure to comply with the instructions contained in this manual.

Any service performed on this product must be completed by a qualified individual. Replacement of this product must be performed by a qualified individual.

Failure to use this equipment in accordance with the specifications in this documentation could lead to a hazard.

No parts in this device should be replaced or removed.

Disconnect all power supplies before servicing the equipment.

## CONTACT



939 Rue de la Croix Verte,  
**Miniparc 12,**  
**34 000 Montpellier**  
**France**

[contact@applexia.fr](mailto:contact@applexia.fr)  
**+33 (0)4 11 93 26 67**