



# Wixia CODER



**2 to 4 inputs**

**32-bit resolution**

**Encoder or counter**

**DIN-35 rail mounting**

Wixia CODER module is dedicated to industrial sensors. This module must be connected to a Wixia-Controller to collect sensors data.

This module offers 2 encoder or 4 single counter inputs with 32-bit resolution.

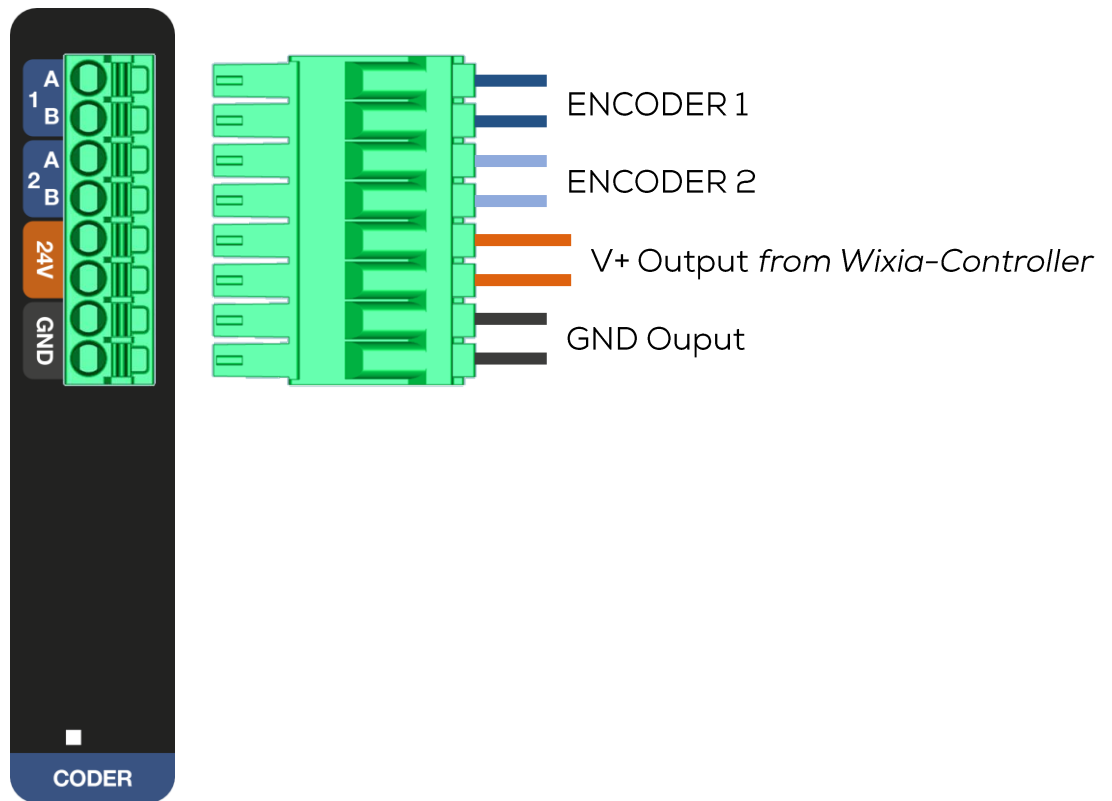
Sensors can be powered thanks to 2 Power outputs linked from Wixia-Controller power and 2 ground connections.

Powered by

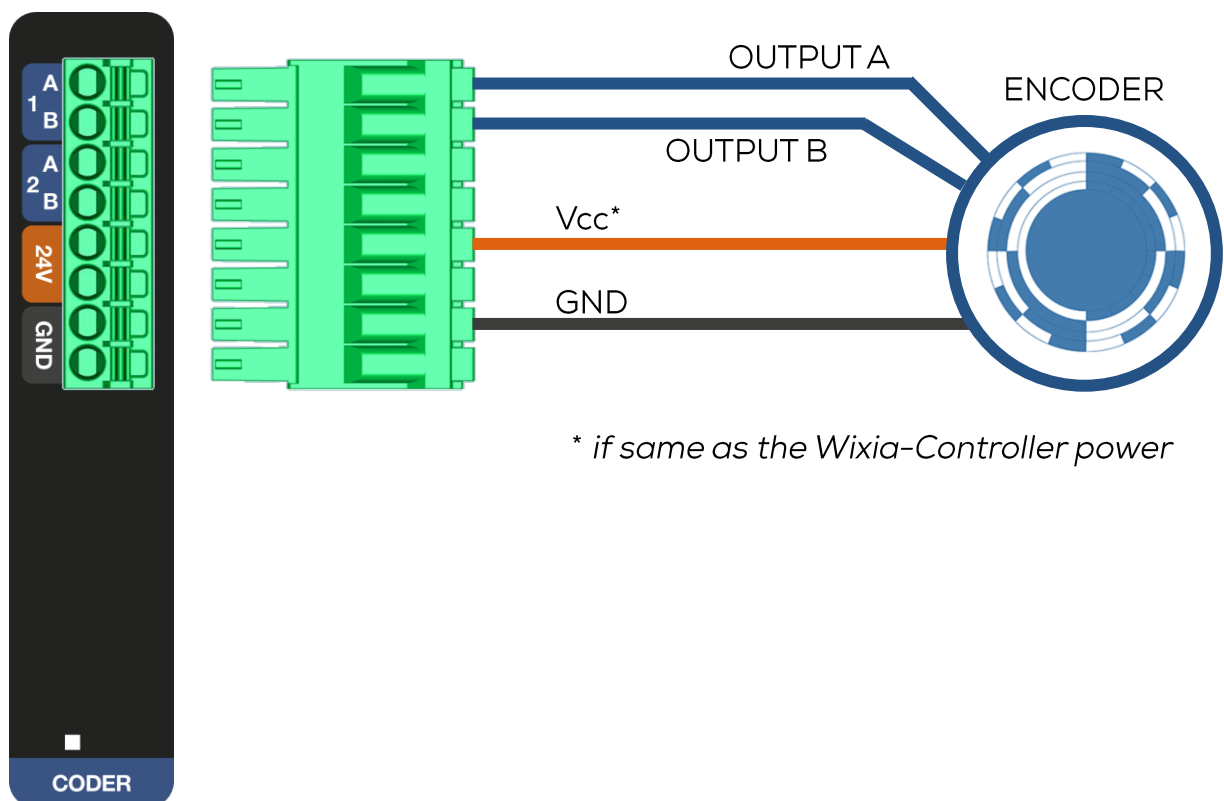


For more information  
contact us or explore [www.applexia.fr](http://www.applexia.fr)

## PINOUT



## INCREMENTAL ENCODER CONNECTION EXAMPLE



## TECHNICAL DATA

### GENERAL

Compatibility	To connect to a Wixia-Controller
Power	Provided by Wixia-Controller
Type of connection	Plug-in terminal with push-in connections

### CODER INPUTS

Number of inputs	2 (Encoder) or 4 (Single counter)
Type	Encoder or single counter
Switching threshold high	> 6.3V
Switching threshold low	< 8V
Counter size	32 bit
Output	Signed 32 bit (INT32)
Input impedance	200 k $\Omega$
Sample rate	100 ms
Encoder max frequency	100 kHz
Single counter max frequency	100 kHz (inputs A) 100 Hz (inputs B)
Debouncing filter –time off	0 to 2 <sup>32</sup> – 1 ms

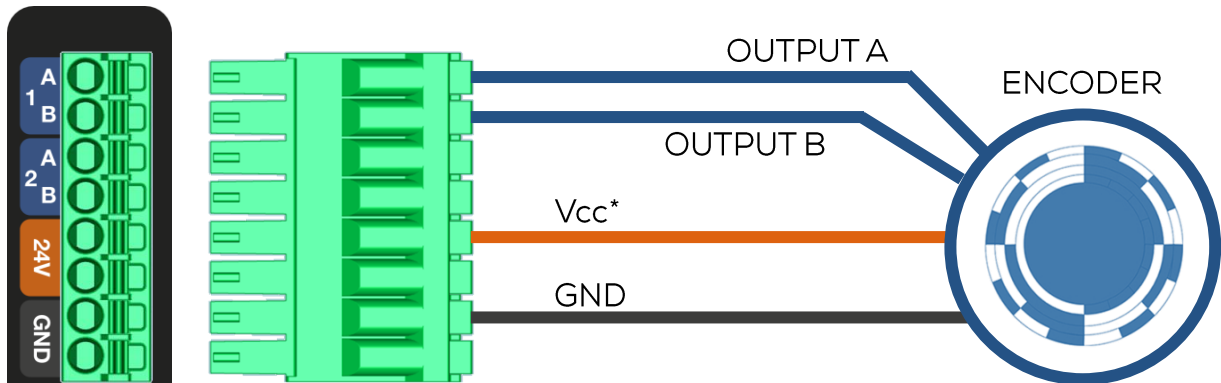
### OPERATING CONDITIONS

Temperature	-25 to 50°C
Humidity	10 to 80%, non-condensing

### MECHANICAL CHARACTERISTICS

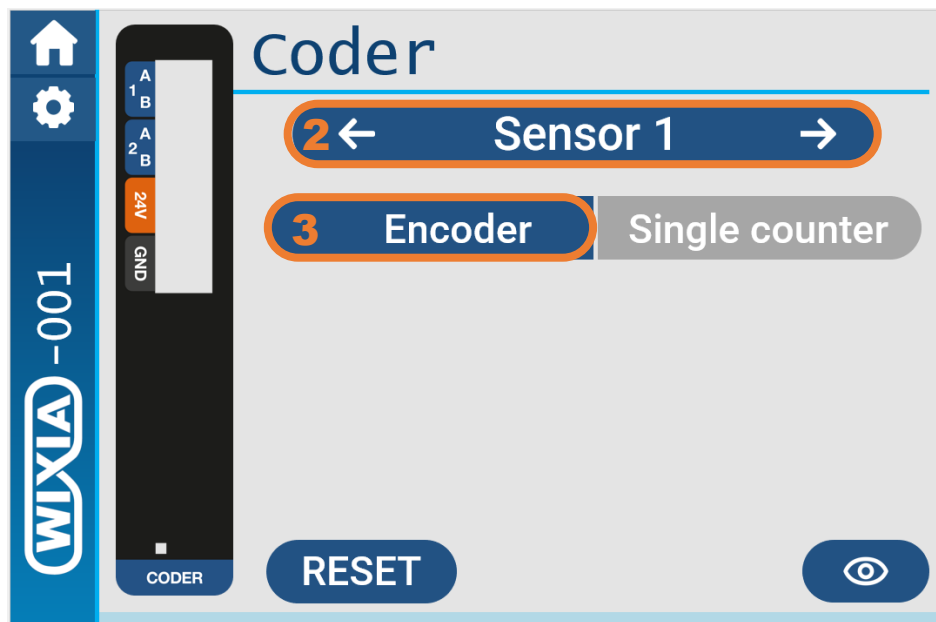
Dimensions (lxLxp)	2.4 x 5.1 x 9.1cm
Mounting type	DIN-35 rail
Weight	120g

## HOW TO CONNECT AND CONFIGURE ENCODER

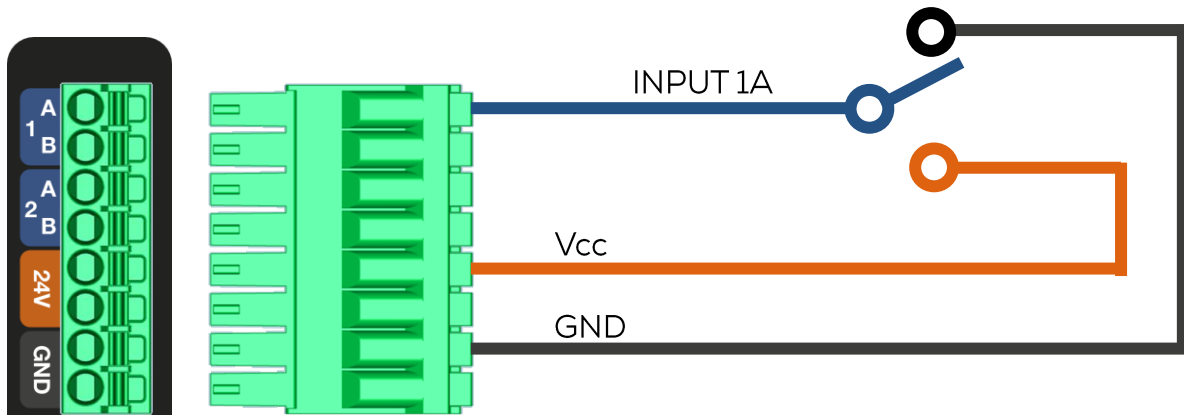


\* typically 24VDC from the Wixia-Controller power

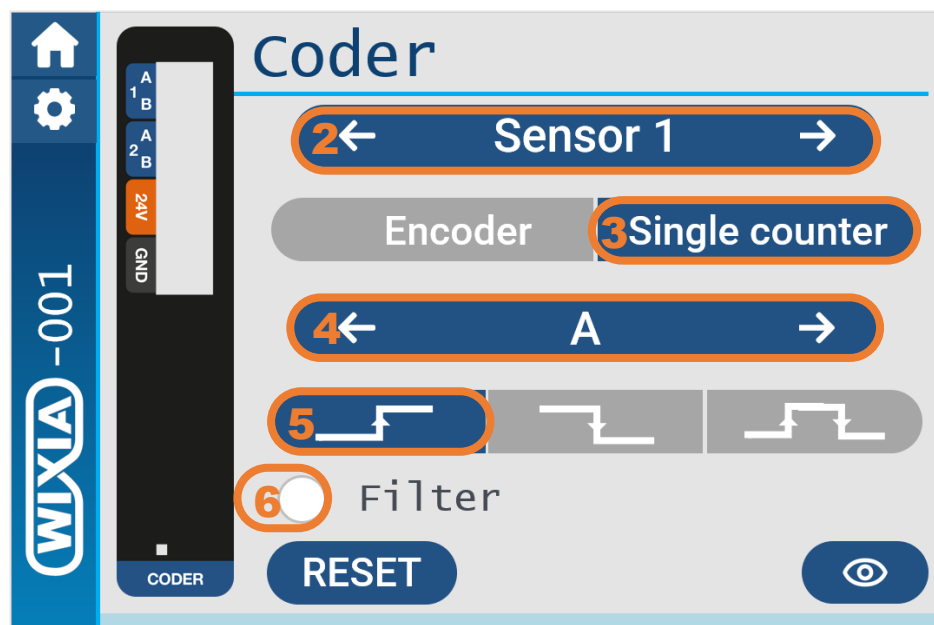
- 1- Connect the encoder to the module and access to the module configuration using Wixia-Controller touchscreen.
- 2- Select sensor connected using rows.
- 3- Simply click on 'Encoder'.



## HOW TO CONNECT AND CONFIGURE SINGLE COUNTER

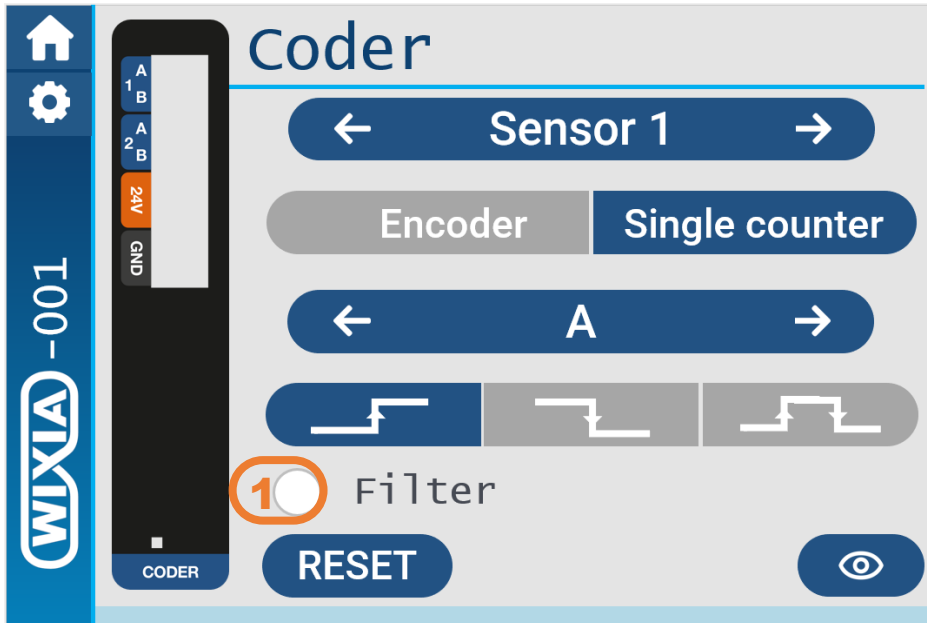


- 1- Connect the single counter to the module and access to the module configuration using Wixia-Controller touchscreen.
- 2- Select sensor connected using rows.
- 3- Click on 'Single counter'.
- 4- Select the input connected using rows
- 5- Select the detection edge mode 'Rising', 'Falling', 'Both'.
- 6- If you need to configure the debouncing filter, click on the filter button. Enter the desired value in ms with the keyboard.



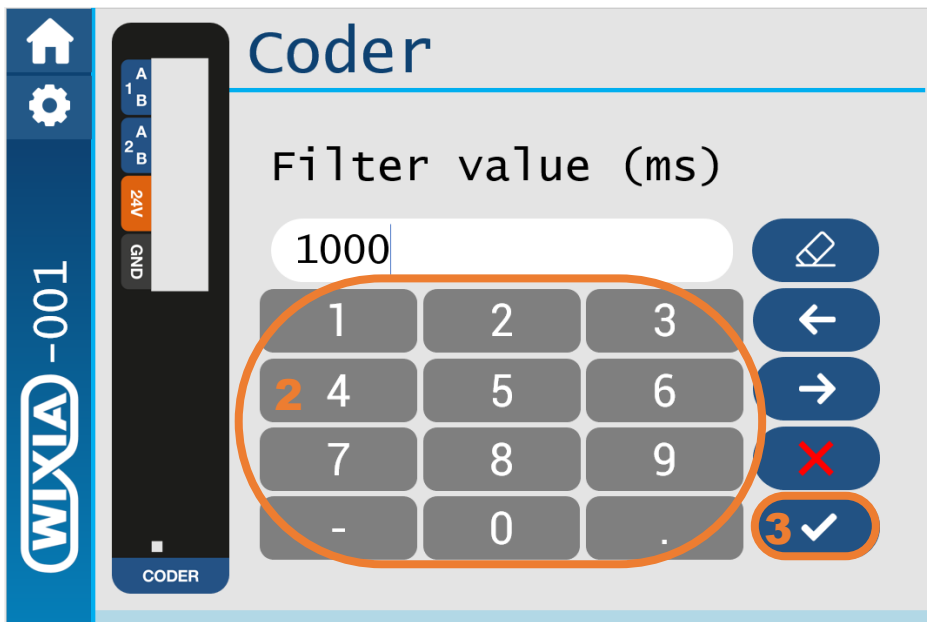
## HOW TO DEFINE THE DEBOUCING FILTER VALUE

1- Click on the filter button.



2- Enter the desired value with the keyboard.

3- Click on the validation button

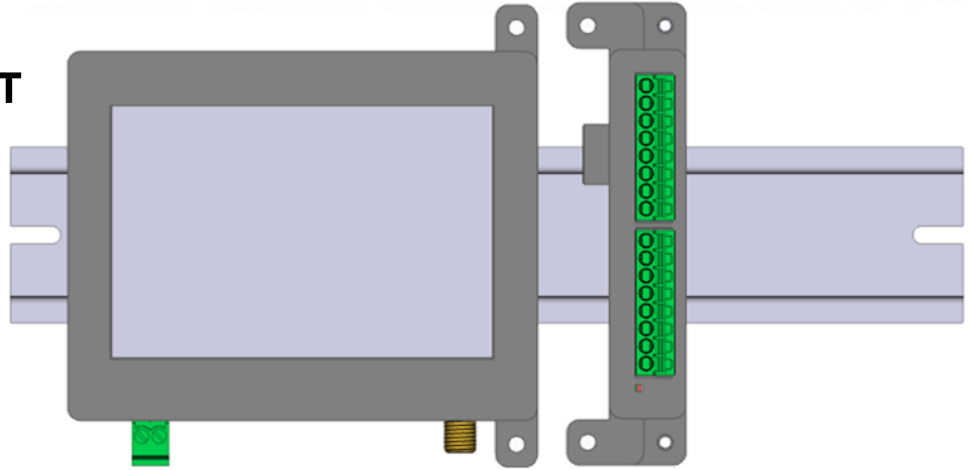


To change the previously configured filter value, simply click on the white input box that indicates the time.

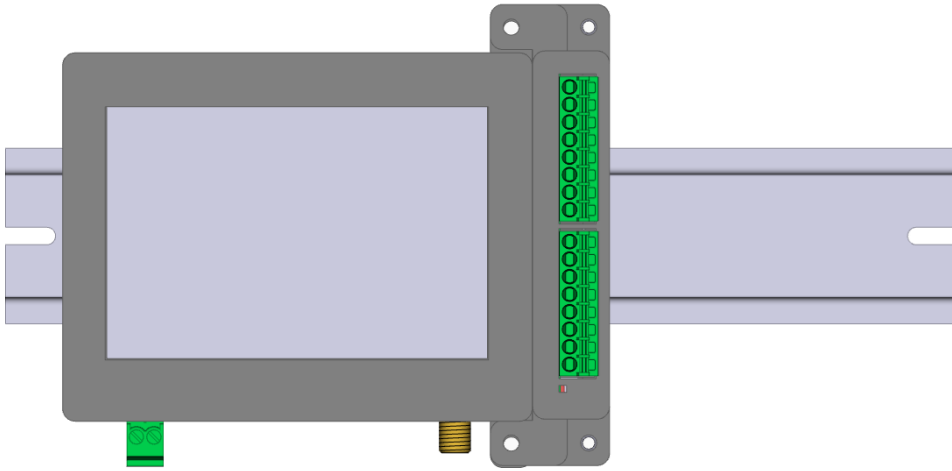
To deactivate filter, click again on the button (1)

## HOW TO MOUNT

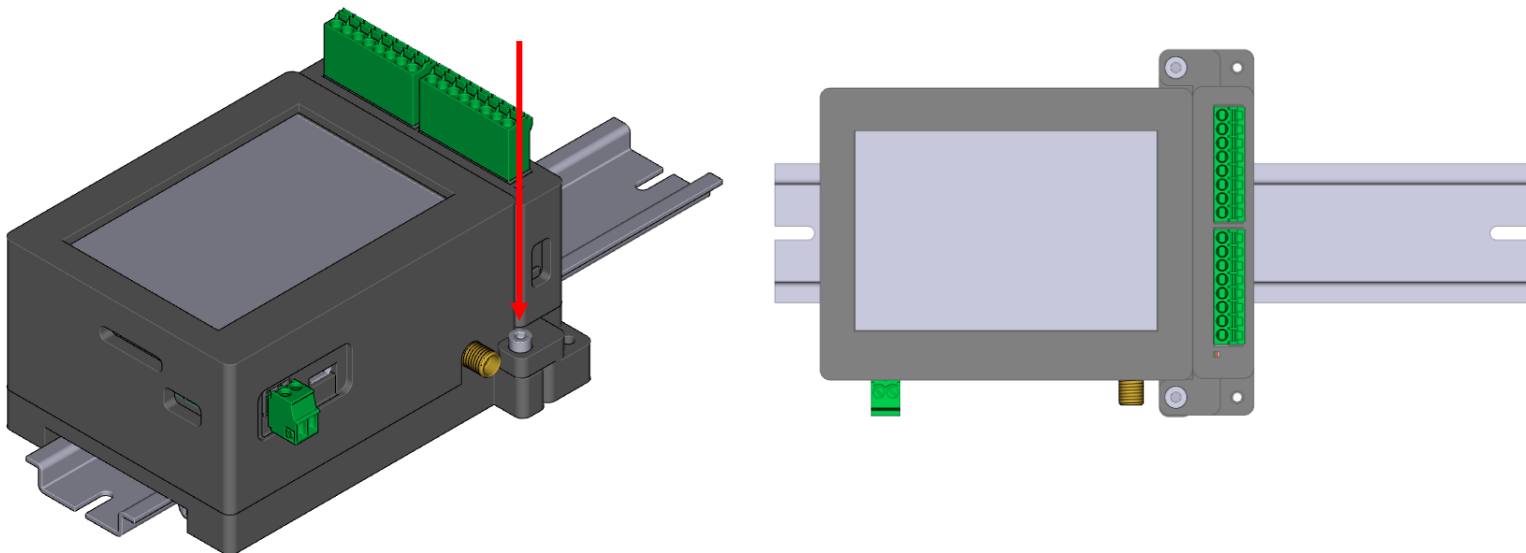
1- Simply clip the module onto the DIN-35 rail.



2- Slide the module to the left to connect it to the Wixia-Controller or to another module.

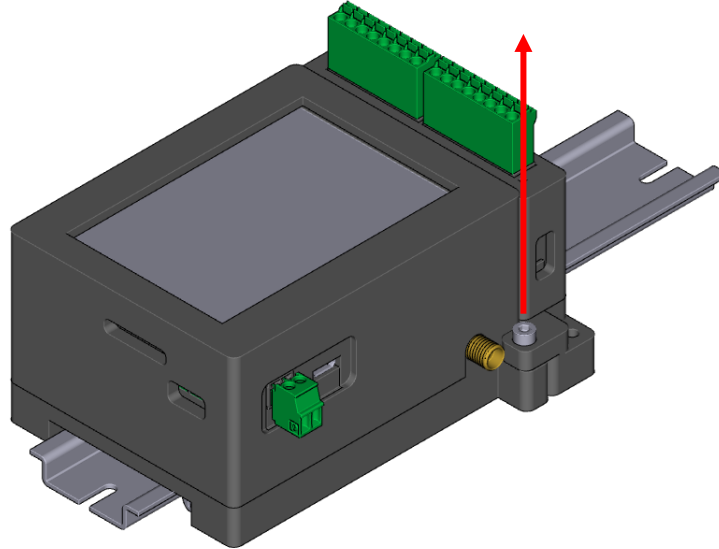


3- Fix the modules together using two M3x16 screws.

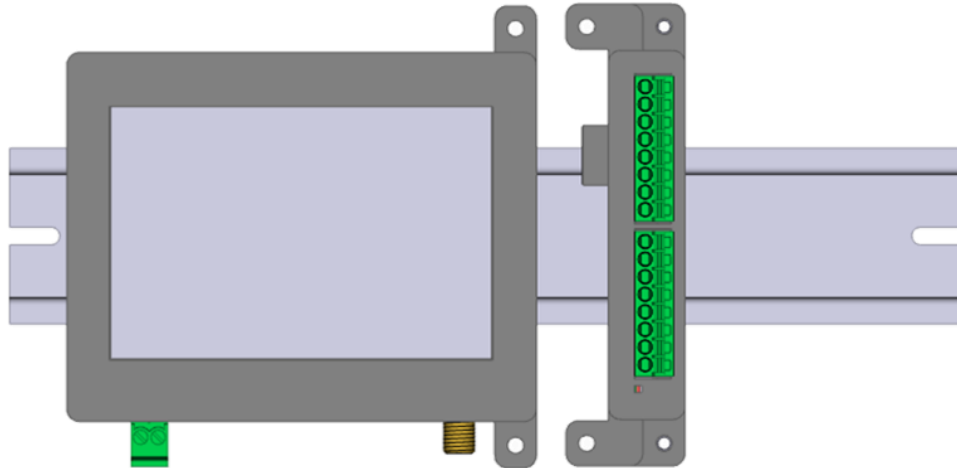


## HOW TO UNMOUNT

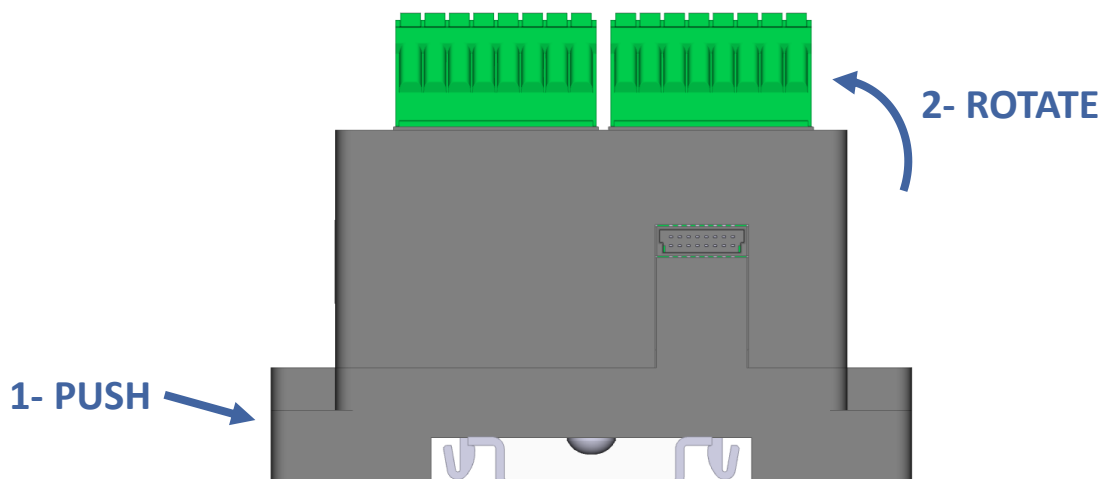
1- Remove the fixing screws that hold the module together with the other modules



2- Slide the module to the right so that it is no longer connected to the Wixia-Controller or to another module.



3- Slide the module to the right and push the module on the bottom while rotating the opposite angle to unmount it from the DIN-35 rail.







## HAZARDS AND WARNINGS

Manufacturer is not responsible for user's failure to comply with the instructions contained in this manual.

Any service performed on this product must be completed by a qualified individual. Replacement of this product must be performed by a qualified individual.

Failure to use this equipment in accordance with the specifications in this documentation could lead to a hazard.

No parts in this device should be replaced or removed.

Disconnect all power supplies before servicing the equipment.

## CONTACT



**939 Rue de la Croix Verte,  
Miniparc 12,  
34 000 Montpellier  
France**

**[contact@applexia.fr](mailto:contact@applexia.fr)  
+33 (0)4 11 93 26 67**

Powered by

